

LED Industrial Line Luminaire L15

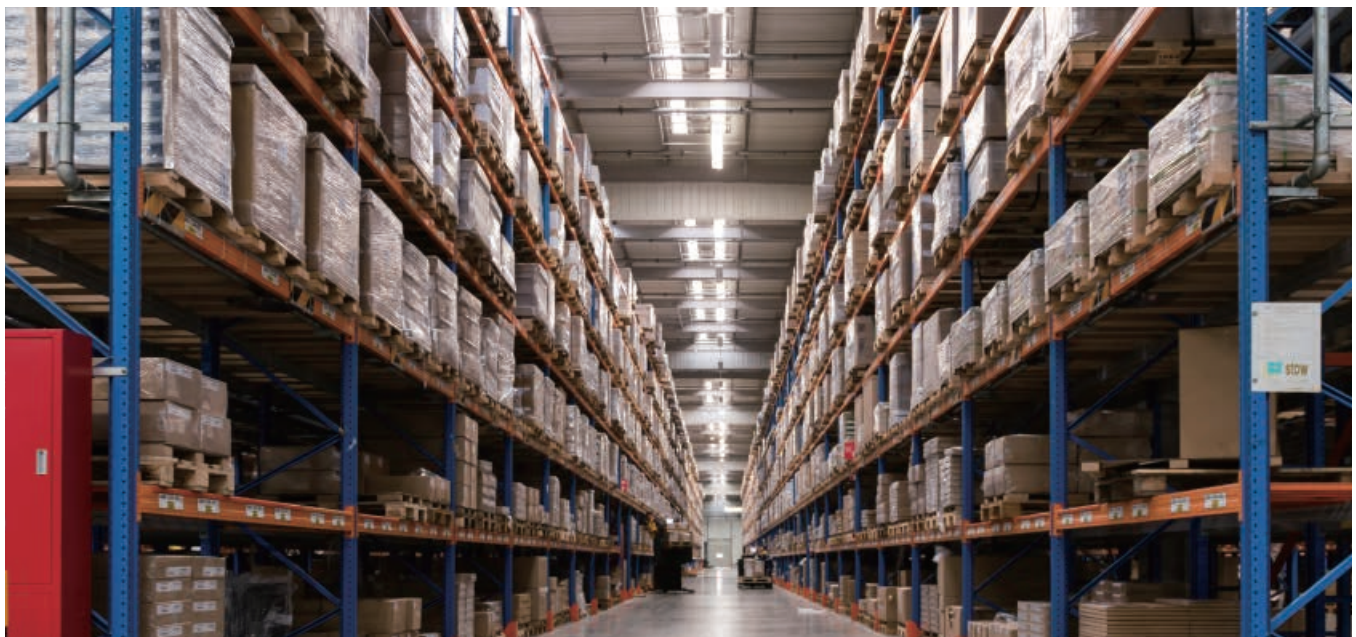




- Non dim version
- DALI version
- Smart sensor version



L15 Industrial line luminaire is designed with flexible function and accurate light distribution. From narrow to wide beam angle options fits for different height of installation from 4~20 meters, plug and play sensor and DALI function make it smarter and more energy saving, and the various installation ways such as surface mounting, horizontal wiring hook, LED module and driver changeable makes it a powerful industrial product.

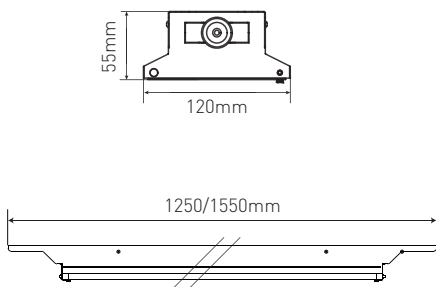


Parameter

Size	Wattage	Lumen	Efficiency	CRI	CCT	SDCM
1250mm	60W	10200LM	170lm/w	80	4000K	3
1250mm	80W	13600LM	170lm/w	80	4000K	3
1550mm	80W	13600LM	170lm/w	80	4000K	3
1550mm	100W	17000LM	170lm/w	80	4000K	3

Notes: Above lumens based on 4000K, Ra 80. All values in +25°C ambient temperature, luminous flux tolerance +-5%, output power tolerance +-5%.

Structure Data



Weight: 4.15kg/1.5m 3.45kg/1.2m

IP Rate: IP23 IK Rate: IK08

Protection Class: Class I

Body materials: Galvanised plate+Aluminum

Body Color: White coating

Operating Temperature: -20~+40°C

Recommended Installation Height : 4-20M

Connection: 5x2x2.5mm² push-in terminal/Wieland plug

Electrical Data

AC Input : 220-240V 50/60Hz

Philips Driver: PF≥0.9 THD<20% Power Efficiency≥0.92

60W : MCB B10A 15, MCB B16A 24, MCB C10A 19, MCB C16A 40

80W : MCB B10A 15, MCB B16A 24, MCB C10A 19, MCB C16A 40

100W : MCB B10A 11, MCB B16A 18, MCB C10A 18, MCB C16A 30

Driver lifetime up to 100000h /10% max failure @ Ta25°C

AC Input : 220-240V 50/60Hz

Osram DALI Driver: PF≥0.95 THD<10% Power Efficiency≥0.92

60W: MCB B10A 8, MCB B16A 13, MCB C10A 13, MCB C16A 22

80W: MCB B10A 8, MCB B16A 13, MCB C10A 13, MCB C16A 22

95W: MCB B10A 8, MCB B16A 13, MCB C10A 13, MCB C16A 22

Lighting Data

Light Efficiency: 170Lm/W

Lumen output: 10200lm -17000lm

Beam Angle: 30°/60°/90°/105°[opal cover] / symmetric

CCT Range: WW(3000K) NW(4000K) DW(5000K) CW(6500K)

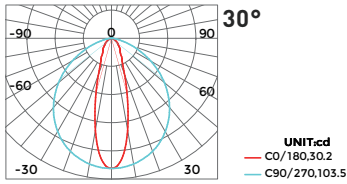
Light Source: 2835 SDCM 3 CRI > 80

L80B10 @Ta 25 C : 102000h

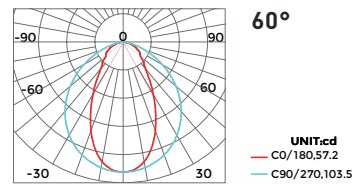
L80B50 @Ta 25 C : 118000h

L90B50 @Ta 25 C : 58000h

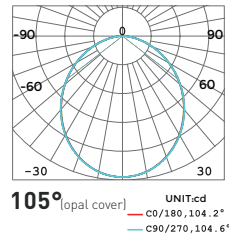
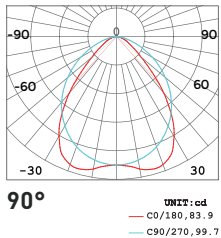
Application



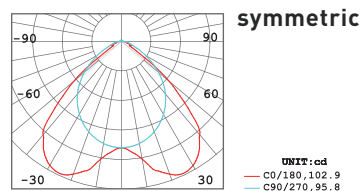
The narrow beam angle is designed for illumination of tall and narrow spaces. It is ideal for high bay warehouses since it will enable the luminaire to light up the aisleway between high racks even from a height of 15-20 metres above the floor. High racks also require more lighting, hence the product is available with powerful lumen packages.



The medium beam angle is recommended for low-racked warehouses, production plants and open layouts like retail, distribution centres or staging areas. The light distribution of the medium beam angle is somewhere in between the narrow beam and wide beam with a round rather than linear shape.



A wide beam angle directs the light into the width of the room and is well suited for open layouts like production plants and distribution centres. Wide beam light distribution creates a uniform illumination and allows for larger distances between the luminaires.



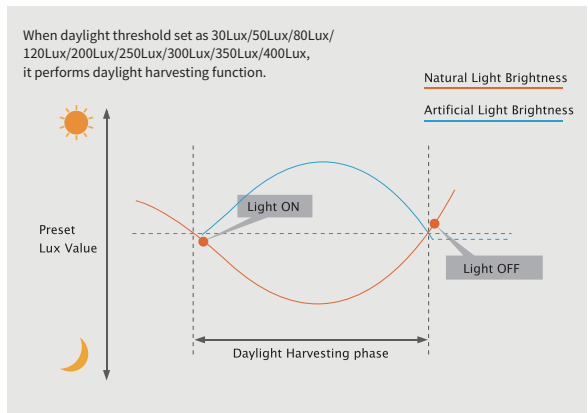
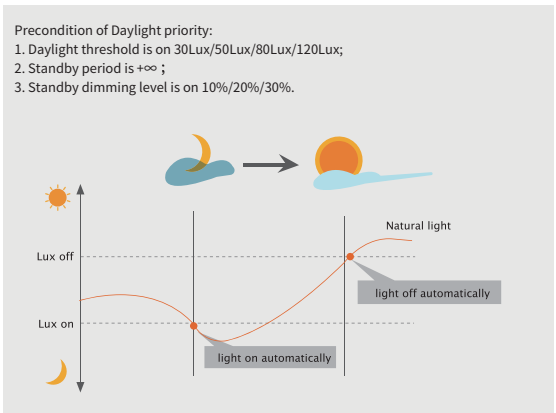
Symmetric also named shelf beam, which is designed for uniform illumination of vertical shelves and the floor between the racks. The luminaire is positioned centrally over the aisles and directs light onto the shelves and floor, perfect lighting solution for retails ans supermarket.

Smart control

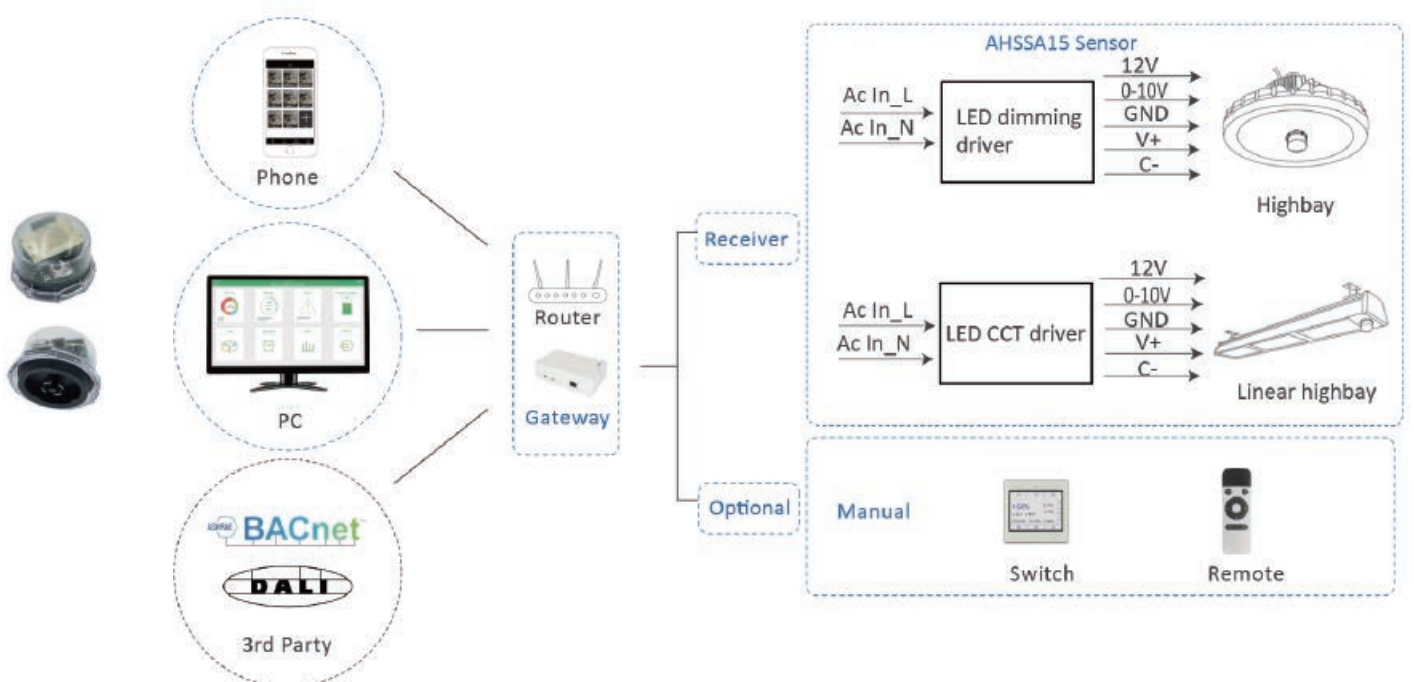
For industrial application such as factory, warehouse and distribution centers, it's necessary to save the energy when there is absence of human to minimize the cost. ERVAN industrial line could perfectly offer the intelligent solution with plug and play smart sensors.



- Daylight Harvesting
- On/off control
- Detection area
- Hold time
- Daylight threshold
- Stand-by period
- Stand-by dimming level
- Remote control setting
- 10-15M Highbay



Zigbee System Diagram



OPERATION AND CONNECTION

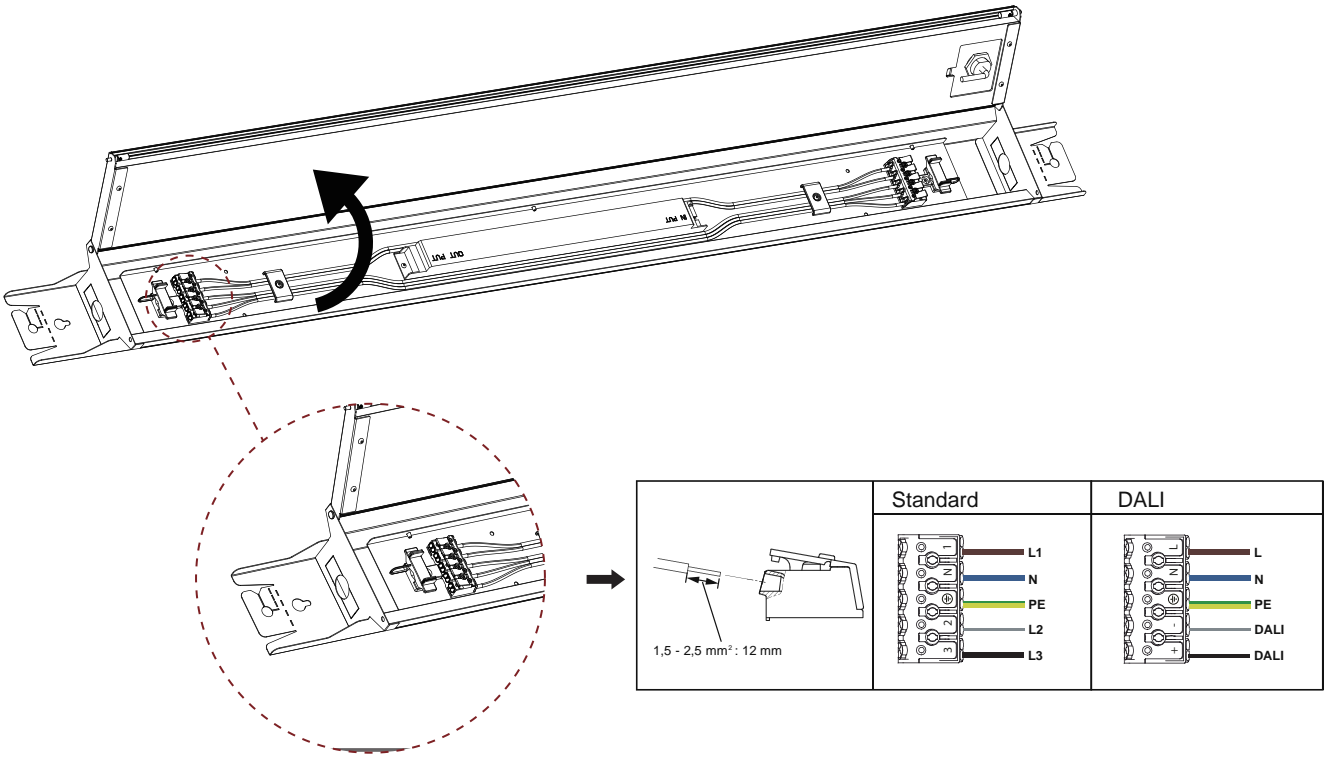
Openable luminaire where the power cable is inserted in the 5 pole push-in terminal block via end plate.

5-pin terminals at each end facilitate installation when any existing cabling is to be used.

Wieland plug through-wiring at both ends on request.

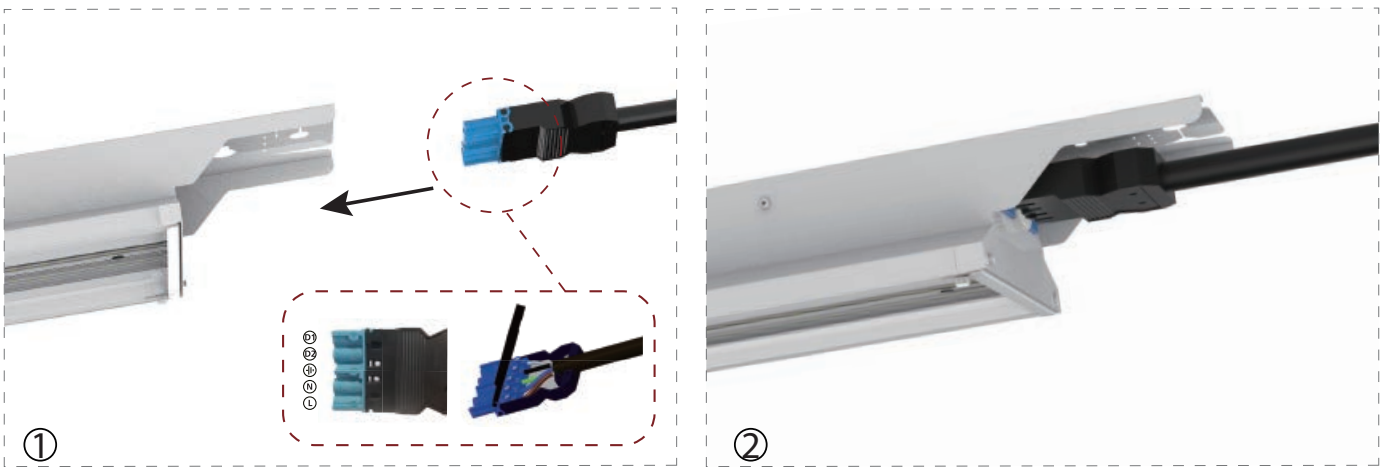
Option 1

5 pole push-in terminal block through-wiring



Option 2

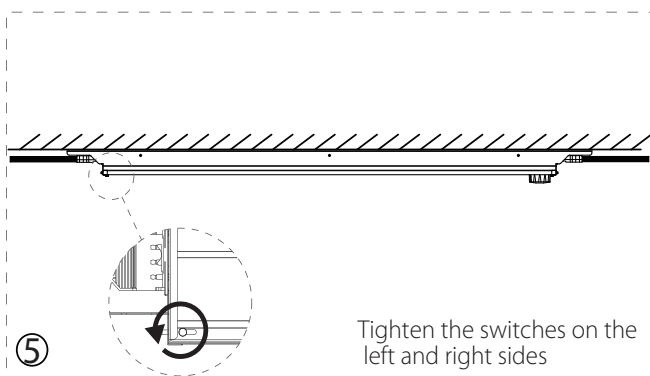
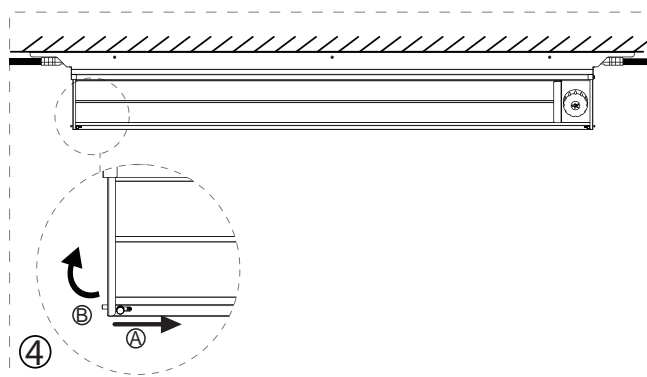
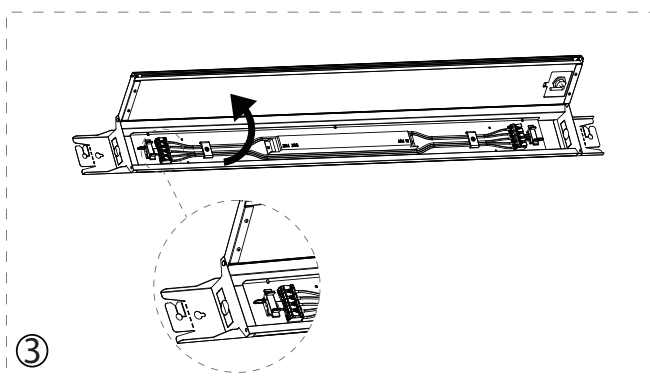
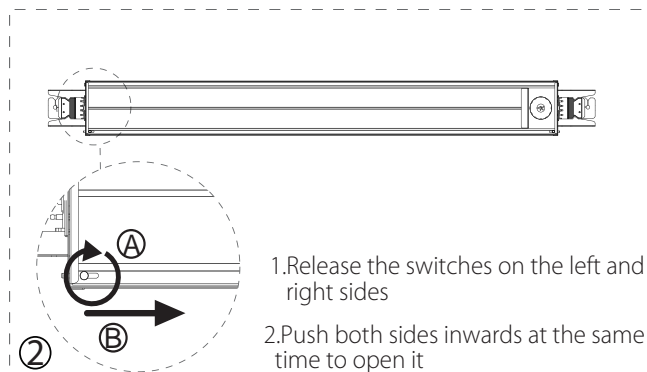
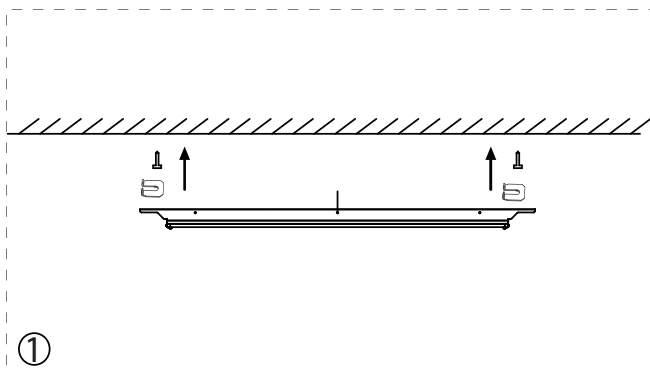
Wieland plug (available on request)



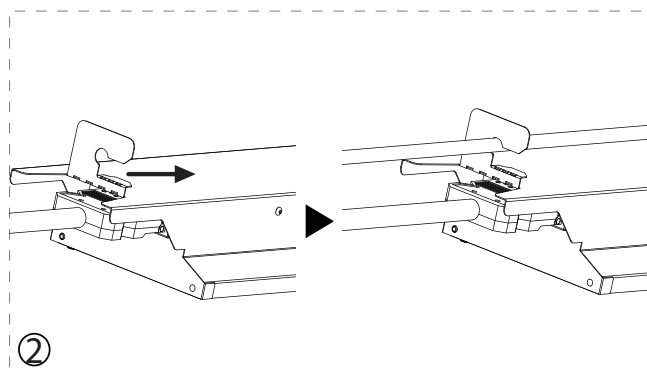
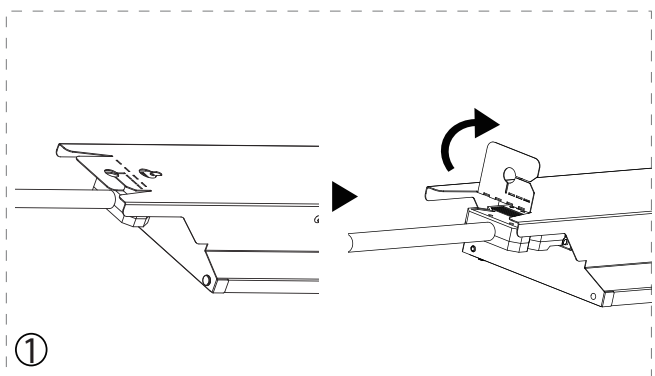
Installation

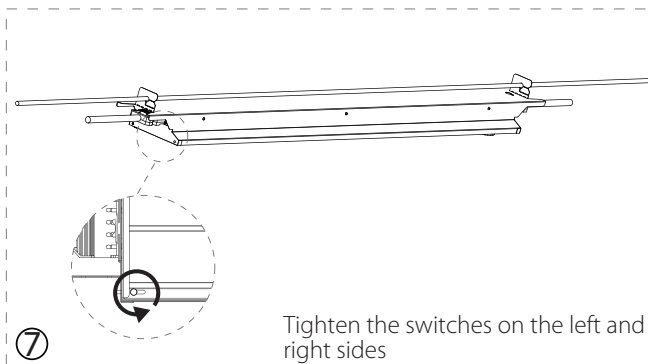
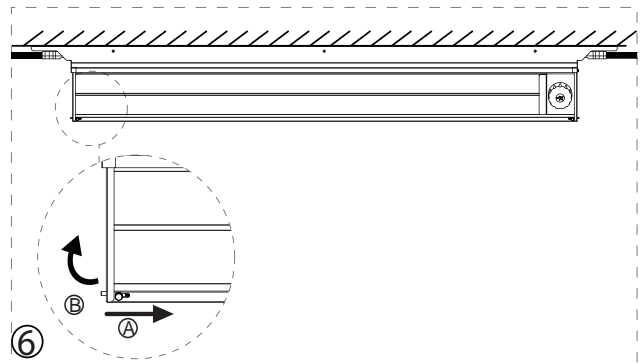
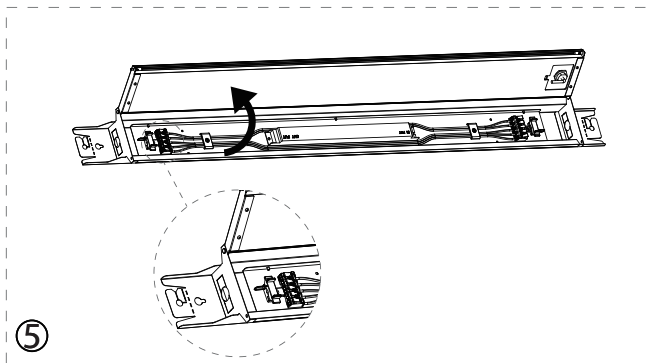
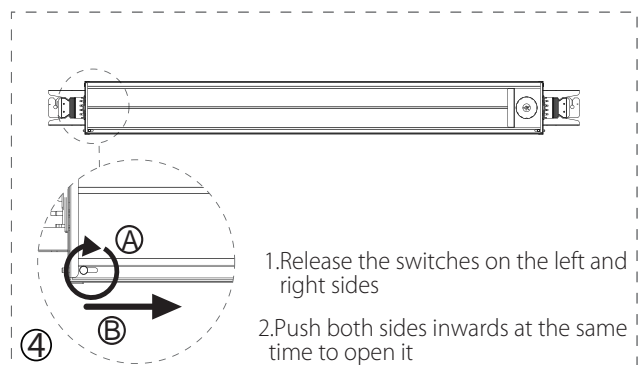
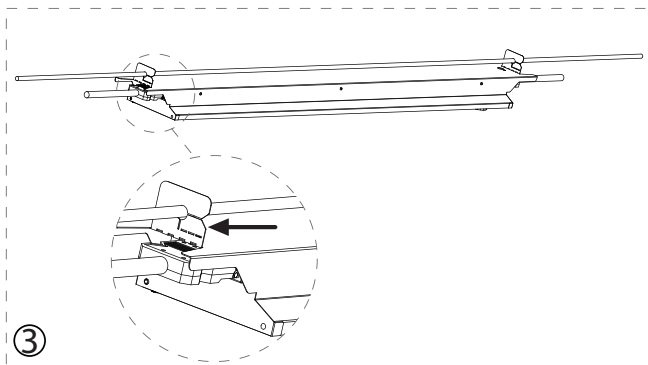
Mounted directly to ceiling or on horizontal wire with diameter from 4 to 10 mm. Suspension hooks are integrated in the end caps.

Surface installation



Hook installation

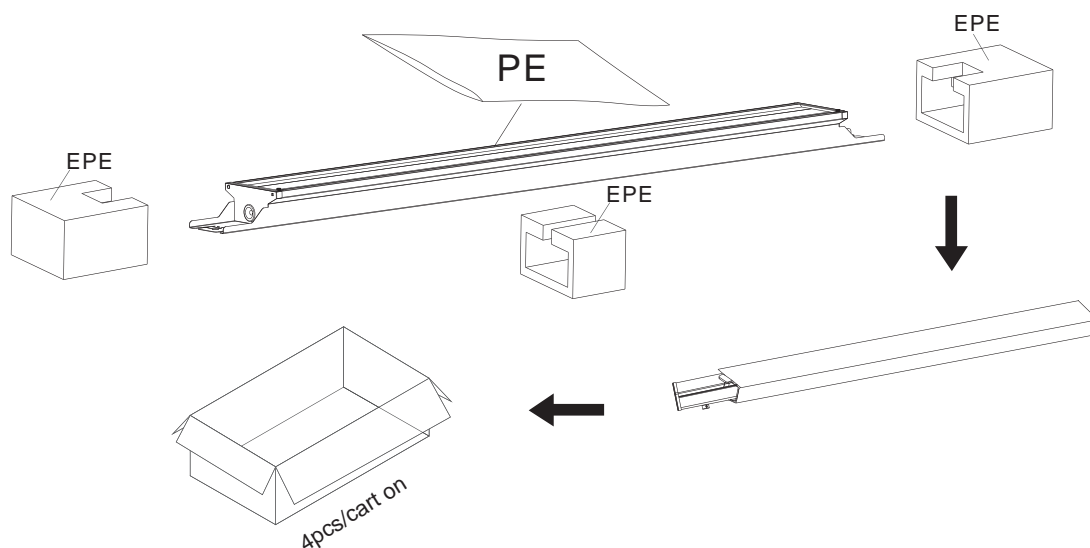




Accessory

ACCESSORIES	IMAGE	DESIGNNATION	QUANTITY
Standard		Screw	2PCS
Standard		Plastic expansion screw	2PCS
Standard		Gasket	2PCS

Packaging



Model No	Single Box	Pcs/CTN	N.W./Panel(kg)	G.W./CTN(kg)	Meas(mm)
L15 1200mm	1	4	3.02	15	1318x340x238
L15 1500mm	1	4	3.86	18.8	1618x340x238

Attention

This specification is for reference only, we reserve the right to change without notice. If you need the updated info, please contact local distributors or visit our website at <http://www.ervan.cn>

Any severe environment application including chemical substances, high/low temperature, high humidity, high salinity, high-ammonia etc. is not permitted without the official confirmation from the manufacturer. If any misapplication happens, the warranty policy is no longer guaranteed.

ERVAN reserves the right of final explanation.